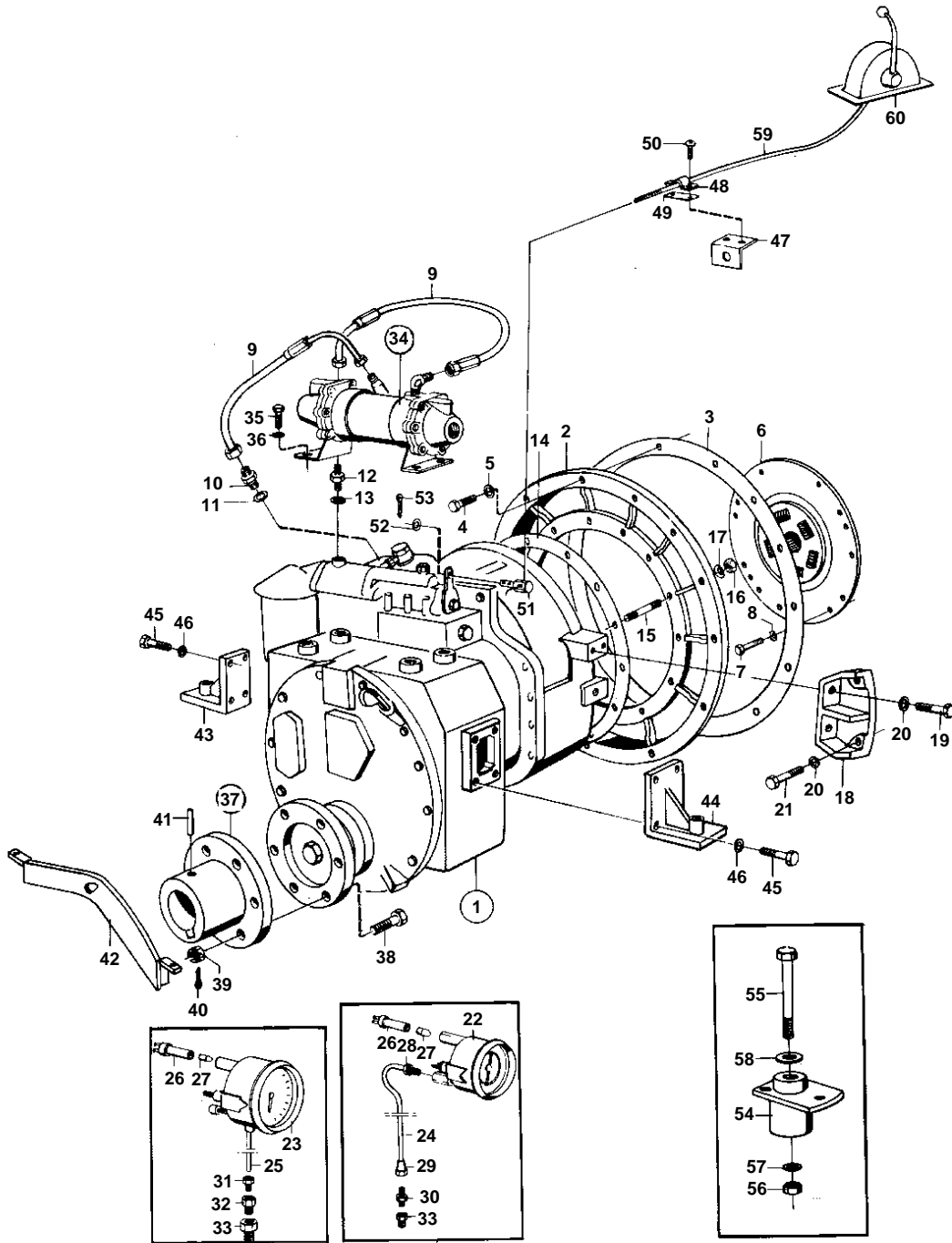


MD100A



5500

MD100A

REF	PART NO.	QTY	DESCRIPTION	SEE SEC.	NOTES
1		1	REV. GEAR, RATIO 2:1		DRILLED 30MM.
		1	REV. GEAR, RATIO 2:1		MRF 350 HD MK2
		1	REV. GEAR, RATIO 3:1		MRF 350 HD MK2. DRILLED 30MM.
		1	REV. GEAR, RATIO 3:1		MRF 350 HD MK2
		1	REV. GEAR, RATIO 4:1		MRF 350 HD MK2. DRILLED 30MM.
		1	REV. GEAR, RATIO 4:1		MRF 350 HD MK2
			COMPONENTS		
2	815250	1	Spacer flange		
3	800314	1	Gasket	IK	
4	940160	12	Screw		
5	941909	12	Spring washer		
6	836319	1	Vibration damper		
7	955534	6	Screw		
8	942336	6	Spring washer		
9	820968	2	Hose		
10	942418	1	Nipple		
11	957184	1	Washer		
12	942363	1	Fitting		
13	18821	1	Gasket		
14	815247	1	Gasket		
15	953261	12	Stud		
16	955827	12	Nut		
17	942336	12	Spring washer		
18	815251	2	Bracket		
19	955549	4	Screw		
20	941909	8	Spring washer		
21	940116	4	Screw		
22	827236	1	Oil pressure gauge		
23		1	OIL PRESSURE GAUGE		4" PROPELLER SHAFT FLANGE.
24	954303	X	Copper tube		L = 5000 MM D = 3/16"
25	954302	X	Tube		L = 5000 MM D = 1/8"
26	808175	1	Bulb socket		
27	182059	1	Bulb		24V
28	87698	1	Nipple		
29	954320	1	Nut		
30	954334	1	Fitting		
31	26699	1	Nut		
32	16226	1	Fitting		
33	809139	1	Nipple		
34	821082	1	Oil cooler		
				04A-0650	
35	101253	4	Screw		
36	942336	4	Spring washer		
37	820933	1	Clutch flange		
38	955696	6	Screw		
39	955883	6	Nut		
40	907834	6	Cotter pin		
41	17186	1	Pin		
42	821872	1			EARLY TYPE
43	823217	1			EARLY TYPE. FOR STEERING YOKE AND LEVER WITH SPLINES.
	823218	1	Bracket		
44	823218	1	Bracket		
45	955560	8	Screw		
46	940280	8	Spring washer		
47	824102	1			
48	819067	1	Brace		
49	819068	1	Washer		
50	950021	2	Screw		
51	814082	1	Cube		
52	940191	1	Washer		
53	17276	1	Cotter pin		
54	820646	2	Rubber cushion		

**MD100A**

<b>REF</b>	<b>PART NO.</b>	<b>QTY</b>	<b>DESCRIPTION</b>	<b>SEE SEC.</b>	<b>NOTES</b>
55	191131	2	Screw		
56	955829	2	Nut		
57	941912	2	Spring washer		
58	830652	2	Washer		
59			CONTROL CABLE		SEE GROUP 9
60			CONTROL		SEE GROUP 9